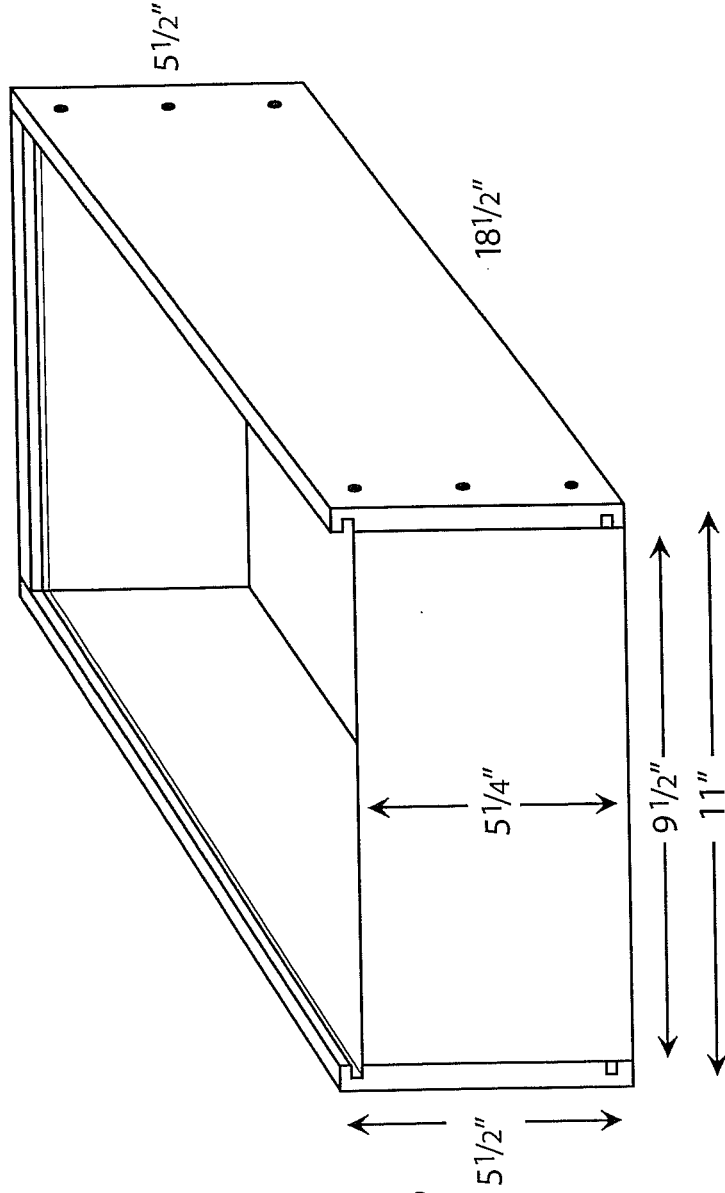


Grain Display Box

- Back piece is $9\frac{1}{2}''$ x $5\frac{1}{2}''$ inside.
- Grooved for glass at top and masonite for bottom.



- Notch: $\frac{1}{4}''$ in $\frac{1}{4}''$ from top
- Use $1''$ x $6''$ wood.
- Glass for top is $17\frac{1}{2}''$ x $10''$

- Groove bottom notches same as top: $\frac{1}{4}''$ from bottom $\frac{1}{4}''$ in for bottom wood

- Use $\frac{1}{2}''$ Masonite or plywood. Nail in place.